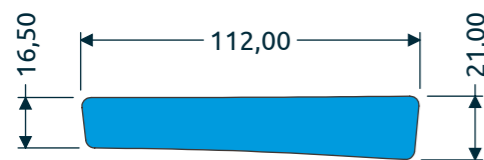
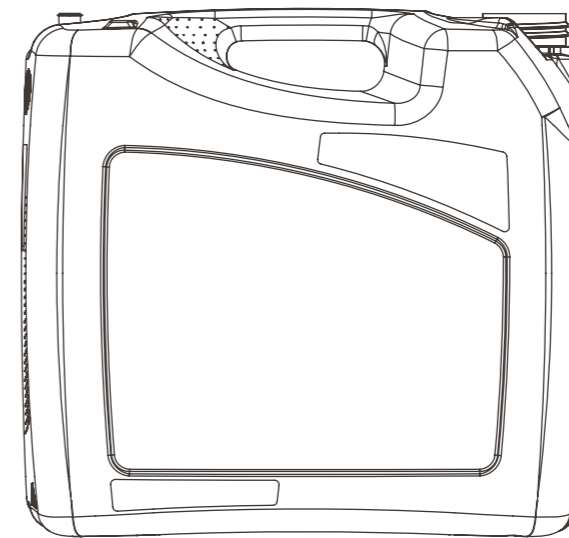
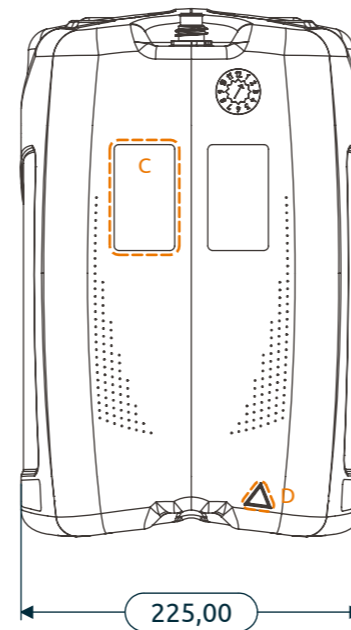
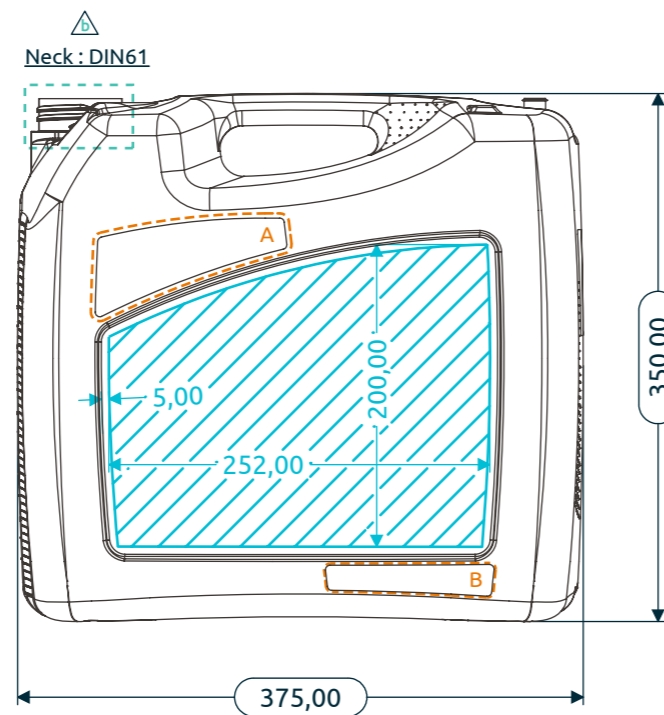
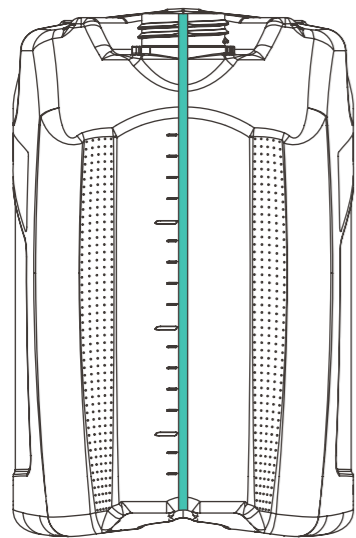
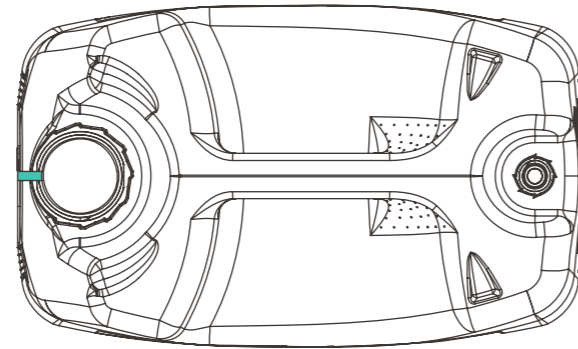
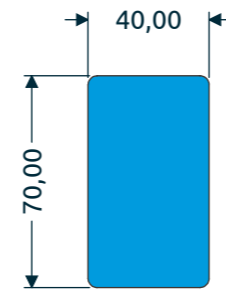
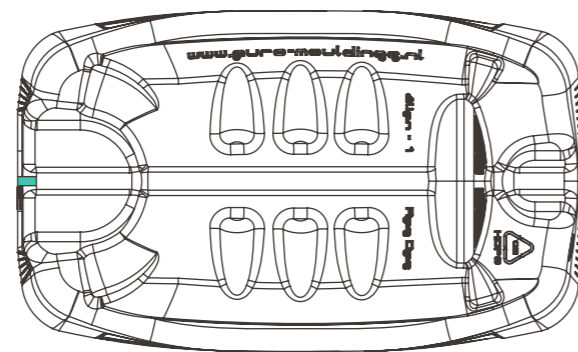


DETAIL A | SHOULDER LOGO  
SCALE 2 : 5



DETAIL B | BOTTOM LOGO  
SCALE 2 : 5



DETAIL C | BACKPLATE LOGO  
SCALE 2 : 5



DETAIL D | TACTILE WARNING  
SCALE 1 : 1

Remarks:

⚠ Changed neck to DIN61

Applicable to :

 Lubricant industry