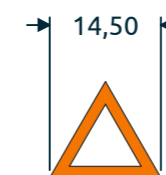
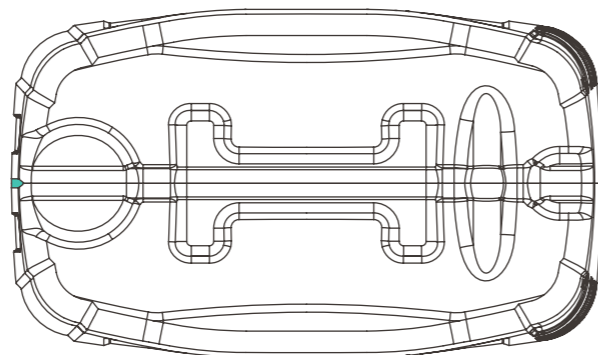
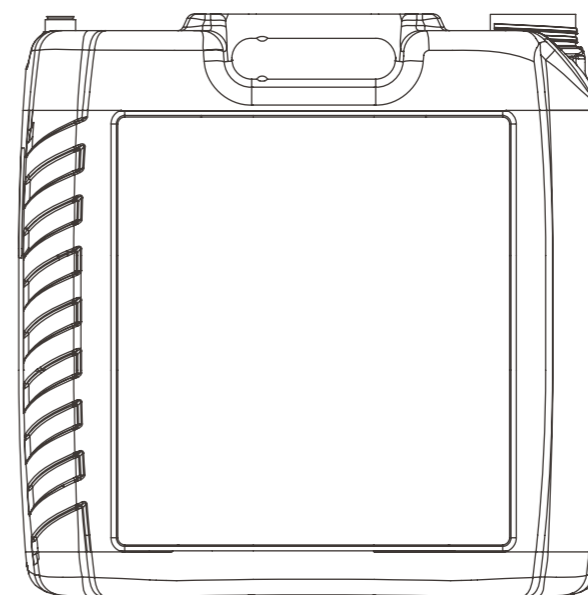
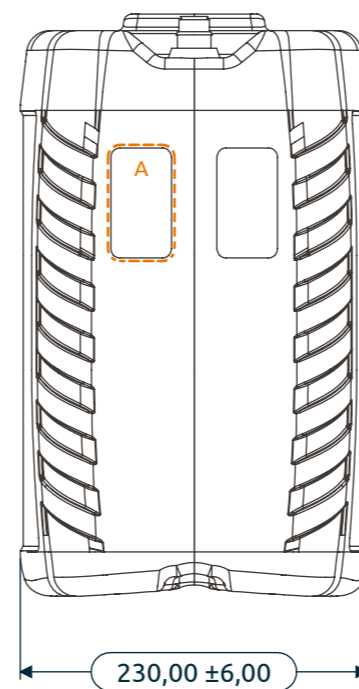
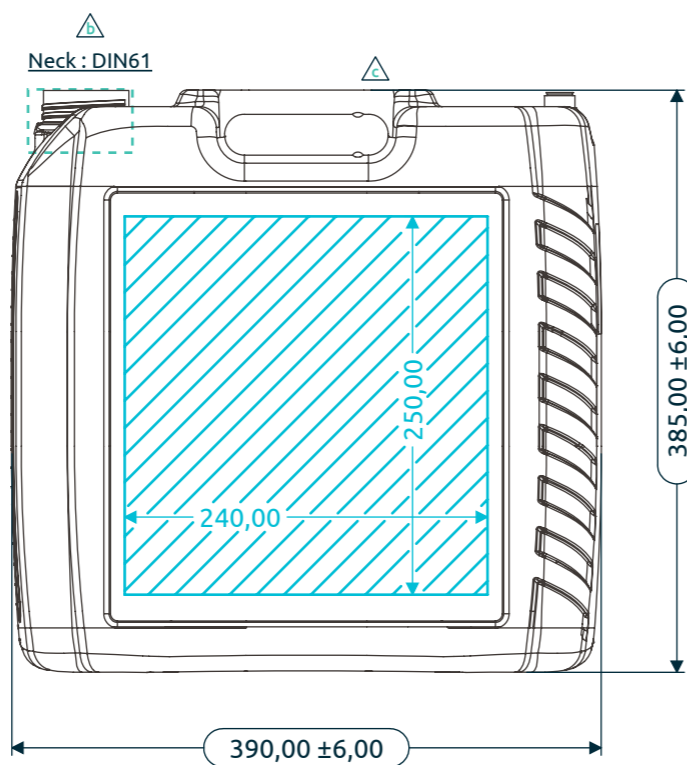
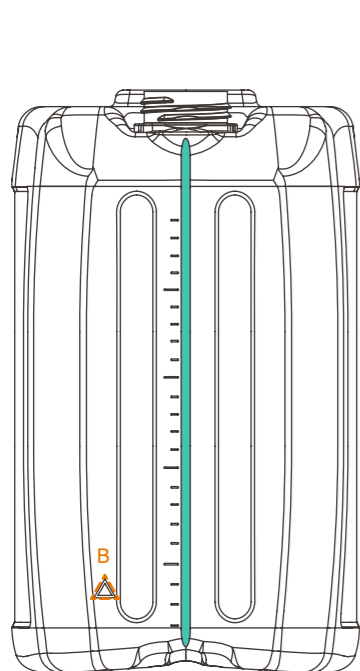
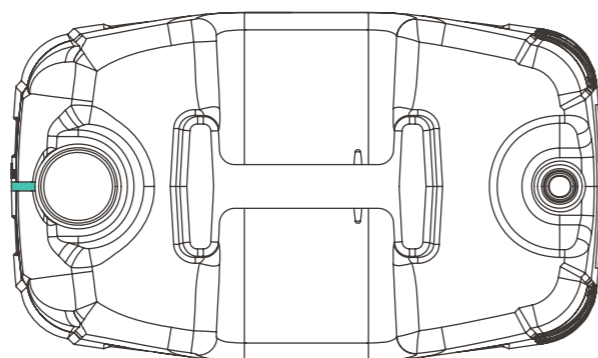


DETAIL A | BACKPLATE LOGO
SCALE 2 : 5



DETAIL B | TACTILE WARNING
SCALE 1 : 1

Remarks:

- △ Changed neck to DIN61
- △ Changed closed grip to open grip

Applicable to:

- Lubricant industry
- Chemical industry
- Agrochemical industry